

AIR DECK[®]

High Speed • Safe Accumulation

Dillin Automation

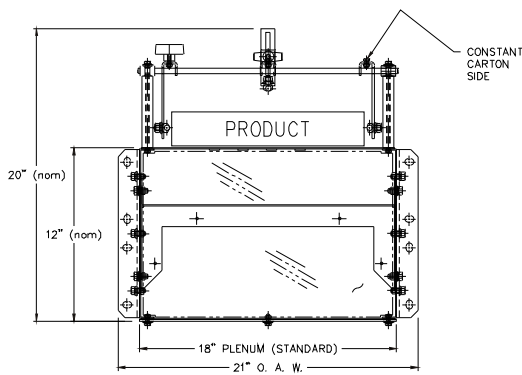
S Y S T E M S C O R P



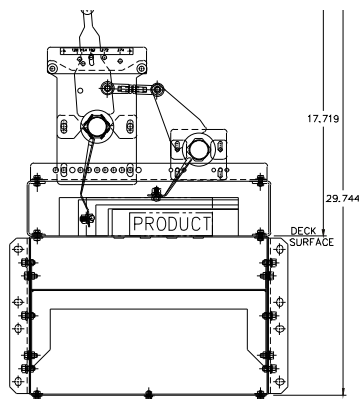


AIR DECK®

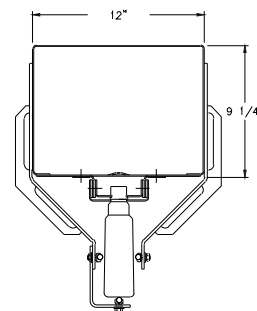
- **Cartons, candy, caps, pouches, bags, bottles**
- **Extremely low maintenance**
- **Low noise levels, safe, no moving parts**
- **High speed conveying for PET bottles**
- **Capable of rates from 200-1200 FPM**
- **Can provide accumulation during downstream machinery downtime**
- **Easy interface with upstream and downstream machinery**
- **Patented QuickSet® Guides make product changeovers in seconds**
- **Maximum accumulation with minimum line pressure and no scuffing**



TYPICAL CROSS SECTION
CARTON SYSTEM AIR DECK®



TYPICAL CROSS SECTION
CARTON SYSTEM AIR DECK® WITH QuickSet® GUIDES



TYPICAL CROSS SECTION
PET BOTTLE SYSTEM AIR DECK®

AIR DECK® SPECIFICATIONS

CONSTRUCTION MATERIALS

Design.....Deck bolted onto plenum
 Optional Design ElementPlenum doors for inside access
 Deck.....14 gauge 304 stainless steel
 Frame.....14 gauge mild steel, painted, bolted construction
 Optional frame.....All 304 stainless steel
 Joints.....Sides are formed angle, bottom is flat plate

MATERIAL FINISH

Finish.....Frame; painted, air dry enamel
 Deck, Stainless steel 2B finish

Optional Finish... ..To customer specification

GUIDES

Side Guide Rails.....Adjustable stainless steel, 3/8"
 round rod with brass bar lock

Side Guide Rail Brackets.....Formed brackets,
 Bright nickel plated

Overhead Guide Rails.....Adjustable, stainless steel
 3/8" round rod with brass bar lock

QuickSet® Guides.....See QuickSet® Guide catalog sheet

CONVEYOR BED

Size.....12" or 18" overall plenum width per lane
 Optional Size.....multi-lane, width to customer specification

Deck Pattern.....Designed to product requirement

Curves.....12" plenum width
 3'-0" inside radius; 30°, 45°, or 90° angle

Curves.....18" plenum width
 (A) 2'-6" inside radius; 30°, 45°, or 90° angle
 (B) 4'-0" inside radius; 30° or 45° angle

Optional.....Angles and radius to customer specification

Curve Guide Rails.....3" high stainless steel sheet
 guide rail on outside radius

DIMENSIONS/WEIGHT

Plenum Width.....12" or 18"

Plenum Height.....12"

Length.....10 feet maximum per section

Weight.....Approximately 200 lbs. per foot section

Optional Width, Height & Length.....To customer specification

SUPPORTS

Floor.....Adjustable, formed channel

Optional Floor Supports.....Clean design, or Pedestal style

Overhead.....Side mounted, formed angle brackets

SPEED

Normal Range.....200-1200 FPM

CAPACITY

Horizontal.....Maximum weight 1 oz. per square inch
 of product surface. NOTE: All systems subject to
 product testing by Dillin Engineered Systems Corp.

BLOWER SYSTEM

Blower.....Direct drive Reliance motor, TEFC
 Optional Blower.....Belt drive Reliance motor, TEFC

Dillin designed motor mount and guarding

Fan.....New York or Chicago Corp. Model: Airfoil
 SQAD High Efficiency

Filter.....Aluminum mesh, washable

Magnehelic.....Dwyer magnehelic pressure gauge

Blower Transition.....Steel construction

Optional Blower Transition.....Flexible fabric connection

Baffles.....Steel fins for air control

UTILITIES

Motor Power Requirement.....230/460V-60 Hz-3 PH

Optional Electrical Devices.....24VDC

Optional Pneumatic Field Devices.....Compressed air
 minimum 80 PSI

FIELD DEVICES - Dillin standards where applicable

Electrical.....Photoeyes (Photo Switch)

.....Solenoid Valves (MAC),

.....Proximity Switches (Efcator)

.....Guard Door Sensors (Schmersal); Low Air Pressure

.....Sensors (Barksdale); Limit Switches (Allen-Bradley)

Pneumatics.....Filter/Regulator/Lubricator (Numatics)

.....Flow Control (Bimba); Poly Tube Fitting (Camozzi)

.....Mufflers (Allied)

ADJUSTABILITY

Product.....Adjustable guide rails

Speed.....Damper controls, 10" deep, jalousie style

Optional Speed Control.....Damper controls, 4" deep, jalousie style

Optional Adjustment Devices.....Dillin designed devices for
 indexing, lane changing, slowing and stopping products

SAFETY EQUIPMENT

General.....No moving parts except in blower

Overhead Guide Rail.....Keeps product on conveyor

Blower Guards.....Triple guarding by filter,damper, and screen

Optional Safety Equipment.....Pre-wired motor

SKIDDING/SHIPPING

Skidding.....AIR DECK® sections are stacked and bolted on
 special metal shipping brackets

Optional Shipping.....Exclusive-Use Air Ride tractors
 and trailers at competitive freight rates

MAINTENANCE

Filters.....Clean periodically

Spare Parts.....Standard, readily available

TYPICAL INTERFACE EQUIPMENT

Equipment.....Any type of conveyor system

Specifications subject to change without notice.